

REAR PULL DOWN CURTAIN (RPDC) INSTALLATION & OPERATING INSTRUCTIONS



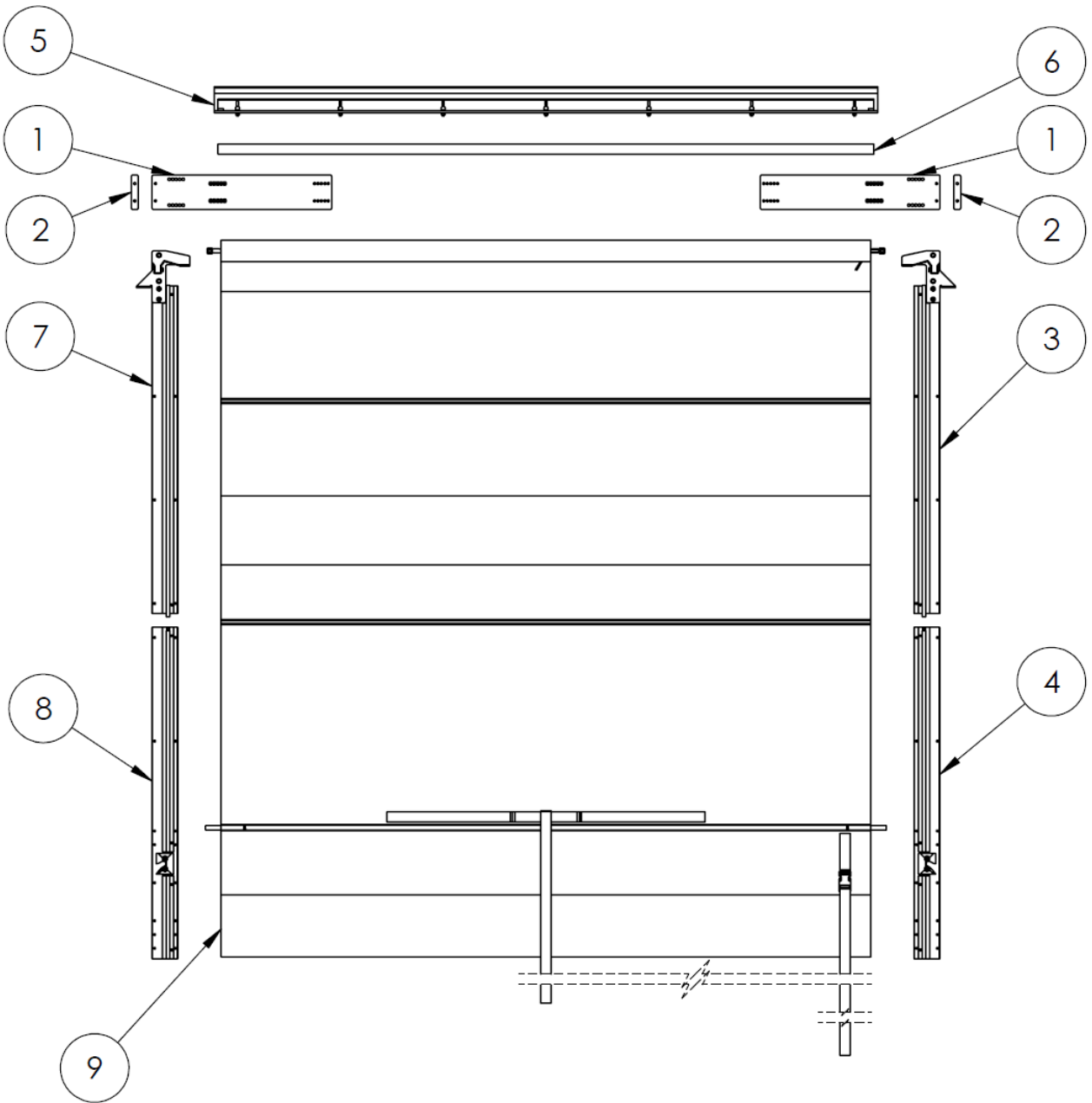
Parts List.....3 - 4

Installation.....5-14

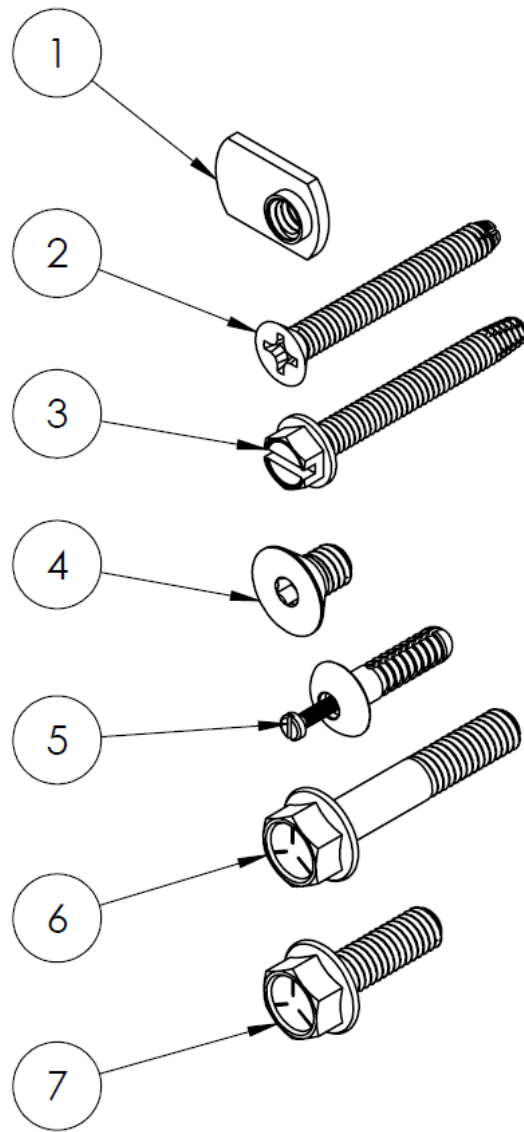
Operation.....15

Warranty.....16

RANDALL CURTAINS » REAR PULL DOWN CURTAIN INSTALLATION INSTRUCTIONS



ITEM NO.	PART NUMBER	DESCRIPTION	QTY.
1	03-21-1067	PLATE, REAR CURTAIN, WALL MOUNT	2
2	03-21-1098	SHIM, REAR CURTAIN, WALL MOUNT	2
3	02-21-1132	SEAL, SIDE, CS, TOP, ASSEMBLY	1
4	02-21-1133	SEAL, SIDE, CS, BOTTOM, ASSEMBLY	1
5	02-21-1128	SEAL, BAR, PULL-DOWN CURTAIN, REAR	1
6	03-21-1077	BAR, GUARD, WELDMENT	1
7	02-21-1134	SEAL, SIDE, RS, TOP, ASSEMBLY	1
8	02-21-1135	SEAL, SIDE, RS, BOTTOM, ASSEMBLY	1
9	02-21-1131	CURTAIN, ROLL-UP, UNIT ASSY, REAR	1



ITEM NO.	PART NUMBER	DESCRIPTION	QTY.
1	03-12-1551	NUT, WELD, 5/16"-18, TAB, OFFSET	4
2	03-12-1578	FHPTCS, 1/4"-20 x 2", ZN	4
3	03-12-1577	HWHSTCS, 1/4"-20 x 2", ZN	16
4	03-12-1558	FHSCS, 5/16"-18 x 1/2", ZN	4
5	03-15-0007	RIVET, CHUTE, PE, 1", MATAL SCREW	24
6	03-12-1566	FHHCS, 5/16"-18 x 1.75"	2
7	03-12-1565	FHHCS, 5/16"-18 x 1", ZN	4

Start the Randall Rear Pull Down Curtain installation on either the roadside or curbside of the trailer. In this document, the Rear Pull Down Curtain installation is started on the curbside and the steps are then repeated on the roadside.

Step 1: Locate Wall Structure

Locate the side wall rivets on the outside of the trailer. Notate the distance of the first three sets of side wall rivets from the back of the trailer. (Figure 1)

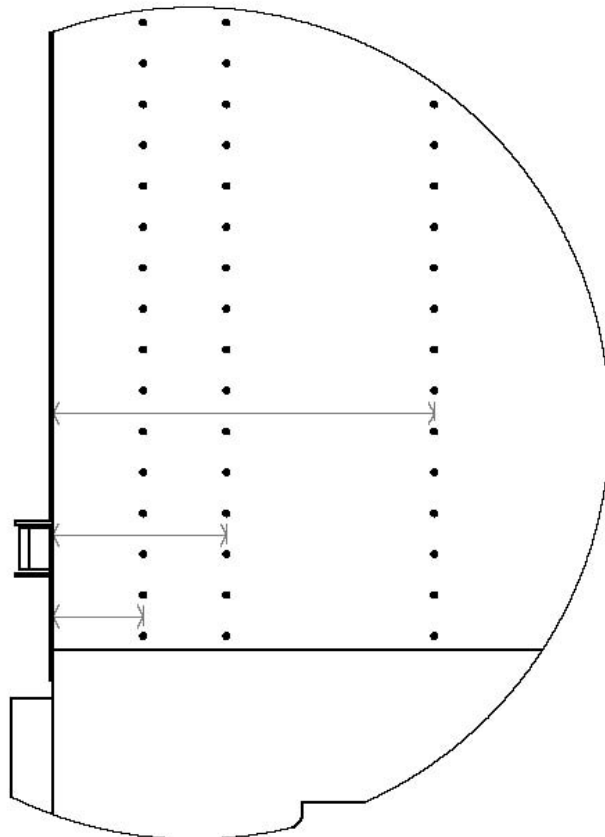


Figure 1: Outside Trailer Wall

Step 2: Mark inside Trailer Wall

Using the same reference point, transfer the outside measurements and mark the same measurements on the inside of the trailer at 1-1/2" down from the trailer ceiling, clearing any obstruction. (Figure 2)

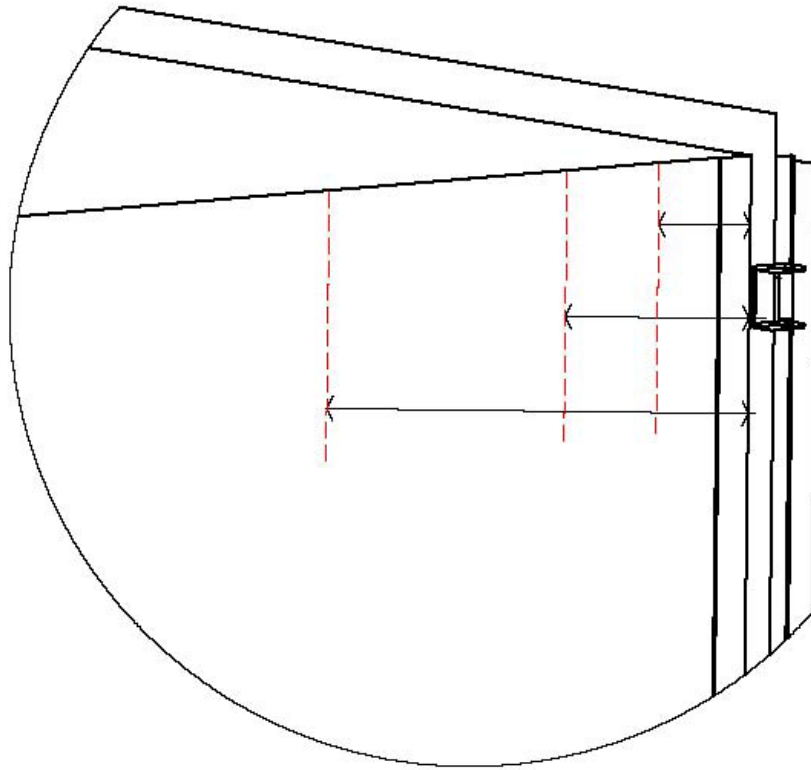


Figure 2

Step 3: Marking First Drill Hole

Place the Curtain Mounting Plate (PN 03-21-1067) (with the countersunk holes towards you) a minimum of 3" from the back of the trailer and 1-1/2" down from the trailer ceiling. Align the closest set of holes to your second vertical marks. Mark upper hole, remove the Curtain Mounting Plate and drill a pilot hole at the mark and use a 7/32" drill bit to drill the mounting hole. (Figure 3)

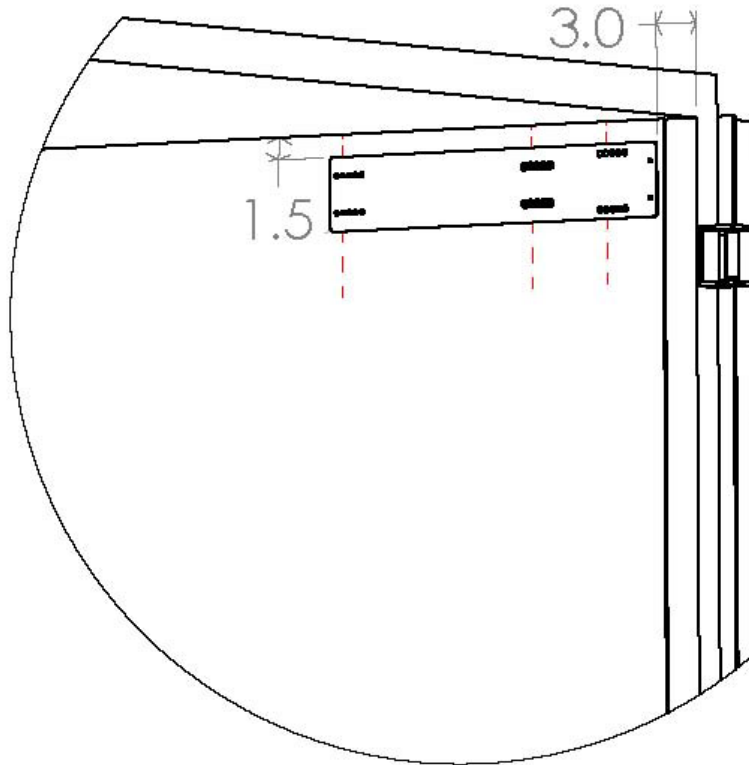


Figure 3

CAUTION: DO NOT DRILL COMPLETELY THROUGH THE TRAILER WALL. USE A DRILL STOP TO PREVENT THIS FROM HAPPENING. You will feel some resistance if you have hit internal structure.

Step 4: Placing Tab Offset Nuts into Mounting Bracket

The Tab Offset Nuts (PN 03-12-1551) are used to attach the Curtain Mounting Plates to the trailer wall. Because the Curtain Mounting Plates need to be at least 3-1/2" from the inside of the closed door, place the Tab Offset Nuts into the holes of the Curtain Mounting Plate that are approximately 4-1/2" from the inside of the closed trailer door. Use tape to hold the Tab Offset Nuts in place on the back of the Curtain Mounting Plates. (Figure 4)

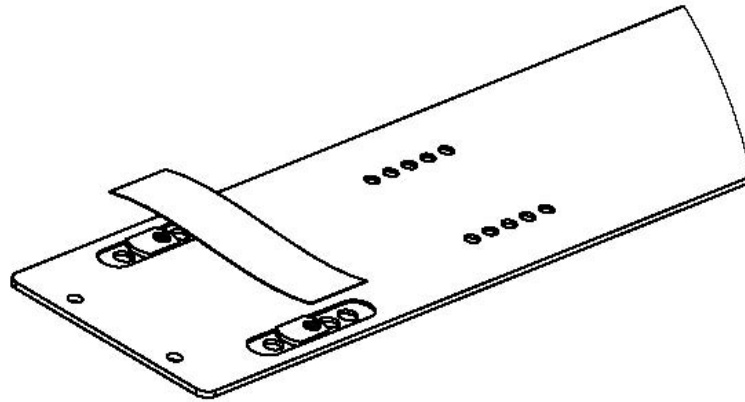


Figure 4

Step 5: Mounting the Top Bracket

Place the Curtain Mounting Plate back up and screw it in place using the Phillips Head Screw (PN 03-12-1578). Square up the Curtain Mounting Plate and mark the remaining holes using your original lines as a guide. Drill a pilot hole at your marks and attach the Curtain Mounting Plate using the remaining screws - One Phillips Head (PN 03-12-1578) and four Hex Heads (PN 03-12-1577). Use Shims (PN 03-21-1098), if needed to keep Curtain Mounting Plate flush, around any obstruction. (Figure 5)

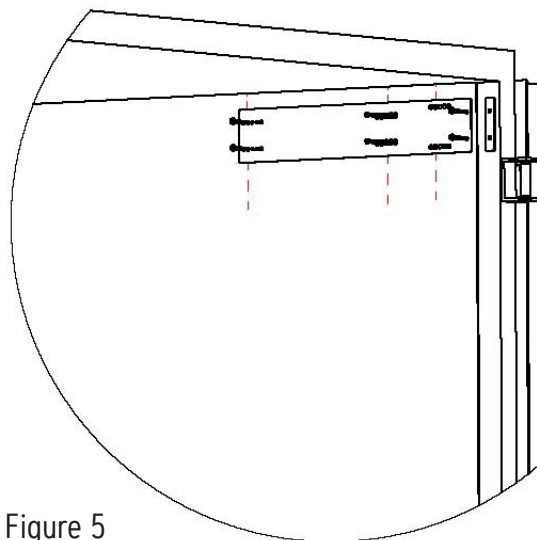


Figure 5

Step 6: Mounting Side Seal Bracket Assembly

CAUTION: The curbside (PN 02-21-1132 & 02-21-1133) and the roadside (PN 02-21-1134 & 02-21-1135) Top and Bottom Side Seal Bracket Assemblies are different. Verify the two parts match before installing.

Line up the two holes in the top section of the Side Seal Bracket Assembly (either PN 02-21-1132 or PN 02-21-1134) with the Tab Offset Nuts in the Curtain Mounting Bracket. Attach using the provided bolts (PN 03-12-1558). (Figure 6)

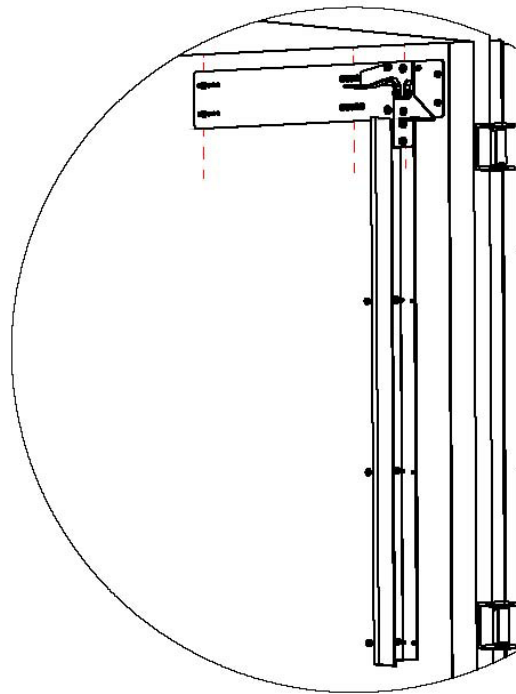


Figure 6

IMPORTANT

When using the screws to attach the Side Seal Bracket Assemblies to the Curtain Mounting Brackets with the Tab Offset Nuts, use Lock Tight to ensure the screws won't loosen up during road travel.

Make sure that the Side Seal Bracket Assembly is square with the trailer. Using a 1/4" drill bit, drill through the six holes in the Side Seal Bracket Assembly and use the 1" Rivets (PN 03-15-0007) to secure it to the trailer wall.

Using the 7/32" drill bit, drill two holes on Side Seal Bracket Assembly using the existing holes as reference. Secure using the 1/4"-20 x 2" screws (PN 03-12-1577).

Step 7: Mounting Side Seal Bracket Assembly (cont.)

Line up the bottom section of the Side Seal Bracket Assembly (either PN 02-21-1133 or 02-21-1135) with the bottom edge of the top section. Repeat Step #6 on the opposite side of the trailer. (Figure 7)

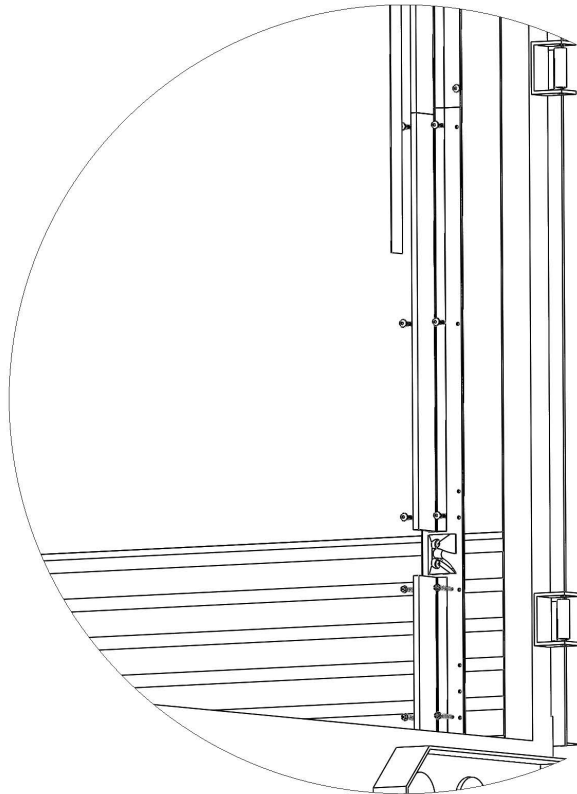


Figure 7

Step 7: Repeat Installation of the Side Seal Assembly and Mounting Brackets on the opposite side

Using the same directions from the previous Steps #1 – #6, repeat the installation on the opposite side of the trailer keeping the same distance from the top of the trailer’s Curtain Mounting Plate to the bottom of the Side Seal Bracket Assembly.

Step 8: Measure Width between Locking Brackets

Measure the width of the trailer between the flat sections of the Locking Brackets at the bottom of the Side Seal Brackets. (Figure 8)

IMPORTANT:
Measure twice, cut once!

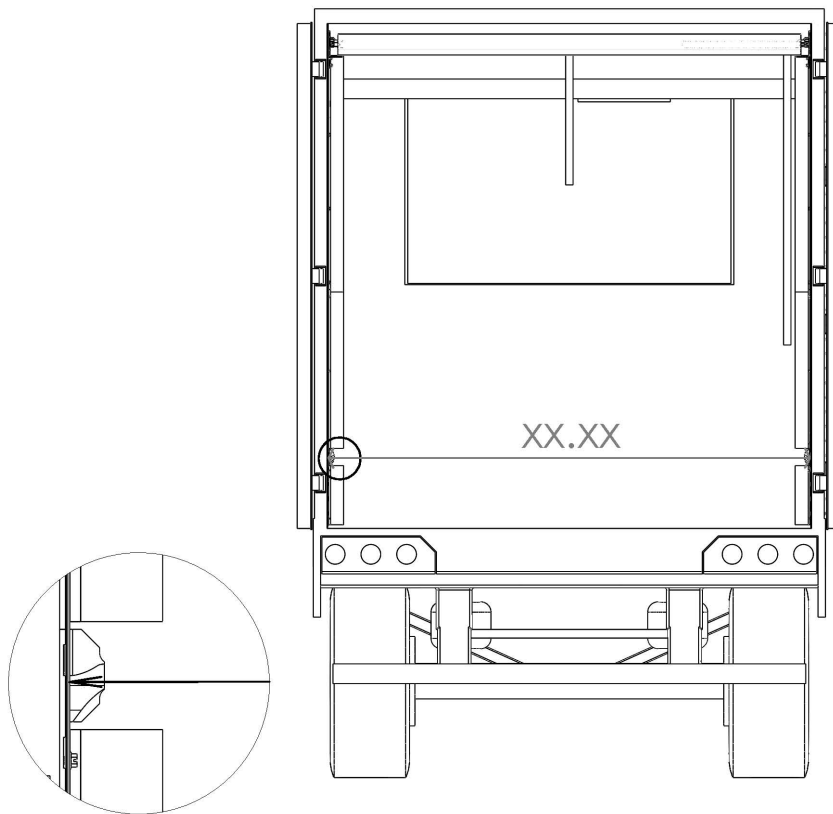


Figure 8

Step 9: Cut-Off Excess Lock Rod Length, if needed

Double-check the measurement of the trailer’s width. Subtract 1/2” from the trailer’s width measurement. Use this measurement, cut an equal length amount off each end of the Curtain’s Lock Rod to fit. Ensure the Lock Rod fits and is centered in the trailer. The curtain’s full width is 1/2” less than the interior width of the trailer at the Lock Brackets. (Figure 9)

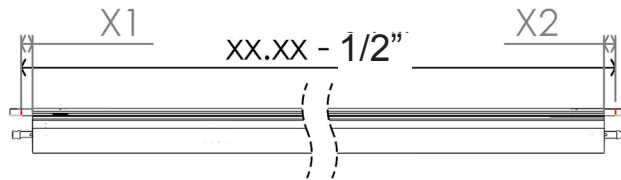


Figure 9

NOTE:
X1 = X2

Step 10: Install Curtain into Lock Brackets

Adjust the upper Lock Rod Ends of the Curtain and slide them into the Lock Brackets. Hold the Curtain to prevent it from unrolling and install the bolts through the Lock Bracket and Rod End on both sides and tighten firmly. Verify the Curtain is centered. (Figure 10)

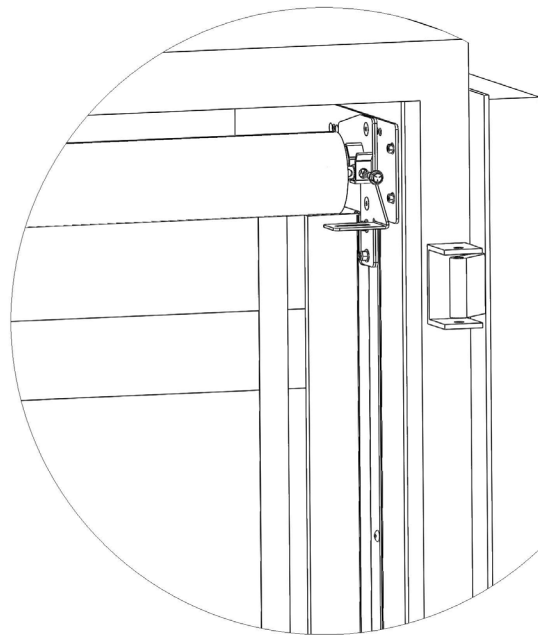


Figure 10

IMPORTANT:

Make sure to hold the Curtain during this step to avoid it unrolling, keeping the plastic wrap on the Curtain Assembly helps too. Leave the zip tie in place securing the Lock Lever.

Step 11: Center Curtain and Lock in place

Tighten the Locking Collet (located on the roadside of the curtain) with an Allen wrench onto the Rod End to secure the Curtain in the center of the trailer. (Figure 11)

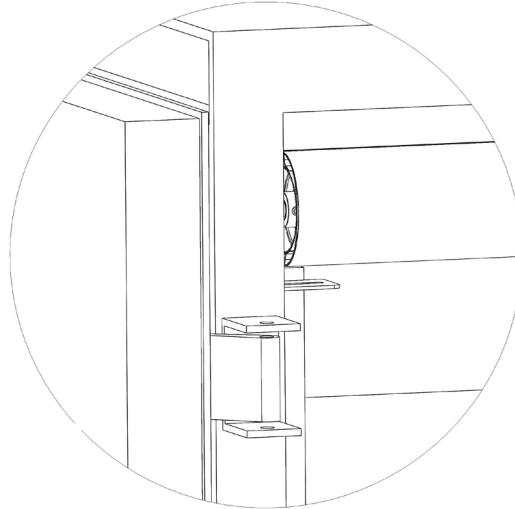
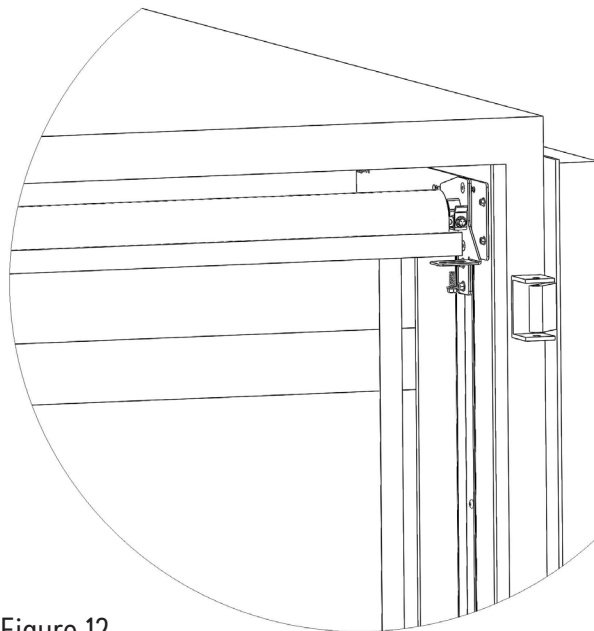


Figure 11

Step 12: Install the Guard Bar

Place the Guard Bar (PN 03-21-1077) on the front of the Side Seal Bracket Assembly Ledge and install the 5/16" x 1" bolts (PN 03-12-1565) into the integrated nuts. (Figure 12)



.....Figure 12

Step 13: Install the Top Seal

Place the Top Seal (PN 02-21-1128) on the back of the Side Seal Bracket Assembly Ledge and install the bolts (PN 03-12-1565). (Figure 13)

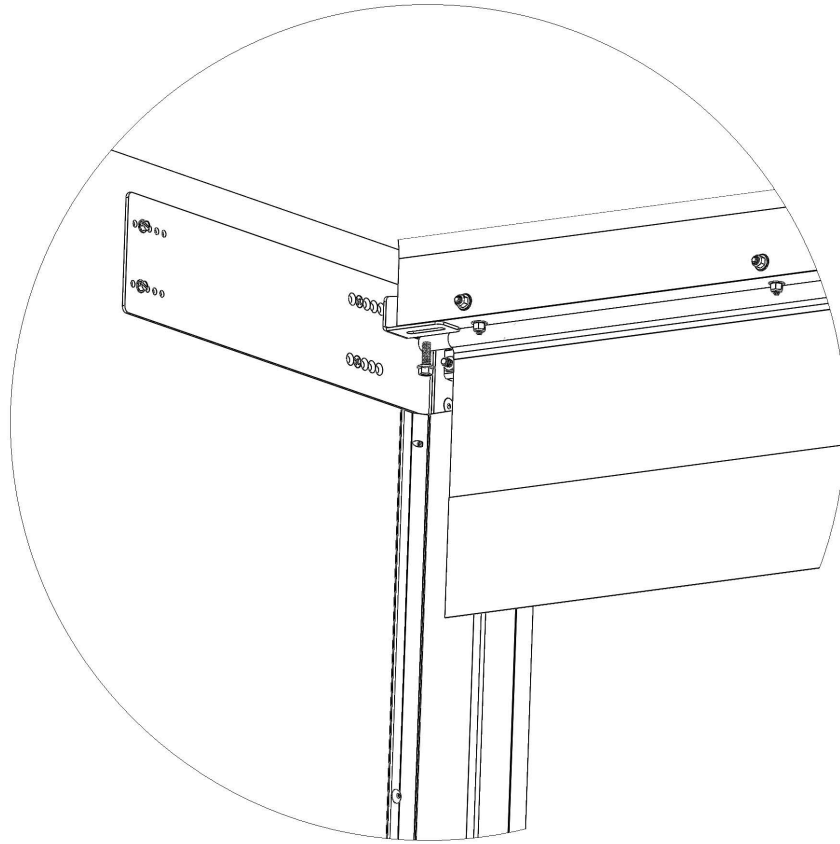


Figure 13

Step 14: Test Installation

Cut the zip tie securing the Lock Lever closed and release the Lock Lever by pulling the Curtain down. Open and close the Curtain making sure that the Lock Rod engages into the Locking Bracket and the Lock Rod rotates past the Mounting Brackets and opens fully above the Guard Bar.

Install the Long Pull Strap on the bottom right of the Curtain using the Buckle Clip. This allows for easier operation from the ground when outside the trailer.

If needed, trim the bottom sweep of the Curtain to the desire length. The sweep should just touch the trailer floor when the Curtain is in the down position. (Figure 14)

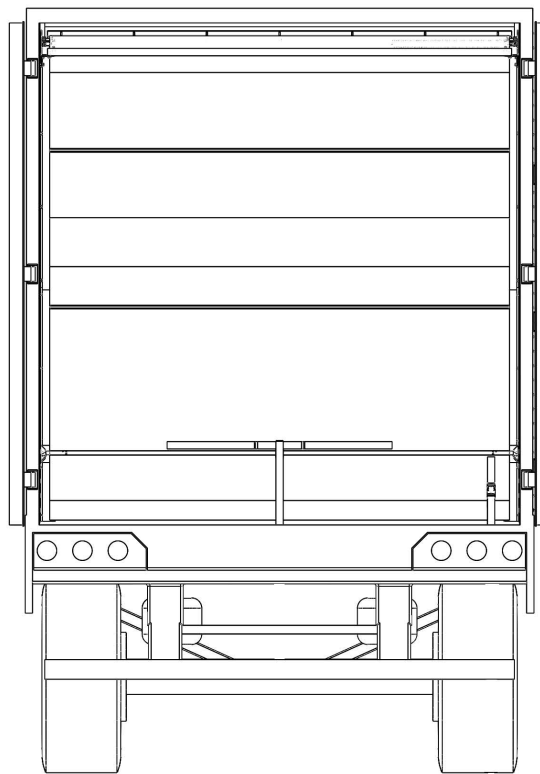


Figure 14

IMPORTANT

Always control the Curtain while rolling up to make sure it does not slam closed. Repeated uncontrolled closure will cause excessive wear and reduce life expectancy of the Curtain product.

The Curtain is guaranteed for One (1) year from the date of purchase, subject to the following:

- Unit must be registered by using the Warranty Registration Card furnished.
- Guarantee is limited to replacement of the Curtain (if defective) and the Mandrel Assembly. No Labor Charges will be honored.
- Guarantee does not cover failures due to:
 1. Faulty installation
 2. Abuse – ripping, cutting, or puncturing curtain
 3. Damage of any kind
 4. Wear
- Should you have a guarantee claim contact our Customer Service Department to arrange for return of the failed part and replacement.

Call 800-323-7424

NOTE: Randall Manufacturing is not responsible for any claims of any kind that arise from charges levied against the Carrier for spoiled or rejected product. If the Curtain is not functional, discontinue use and protect the cargo using other means.

