

# REAR ROLLER CURTAIN (RRCV)

## INSTALLATION INSTRUCTIONS

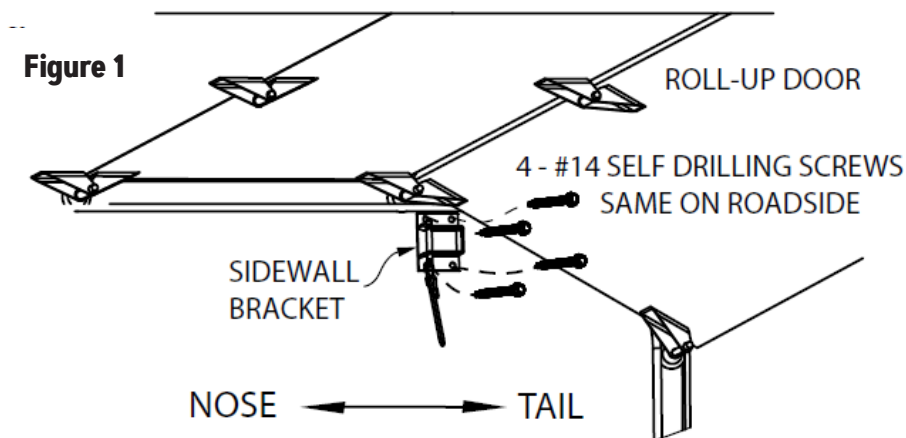
**INCLUDES:**

- 2 - End stops (1 installed, 1 loose)
- 2 - Sidewall brackets
- 1 - Track
- 10 - Nylon rollers
- 2 - Curtain panels
- 6 - Plastic Velcro hooks

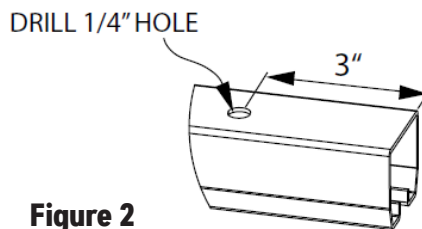
**REQUIRED TOOLS:**

- 1. 8 - self-drilling #14 screws
- 2. Wrench
- 3. Metal cutting saw
- 4. Utility knife or commercial scissors
- 5. Power drill with 1/4" drill bit
- 6. General purpose rivet gun, pop rivets and drill

1. Review and verify that all parts are included.
2. Install the curtain at the rear of the trailer, close to but no less than 12" from the trailer door opening, and as close to the ceiling as possible. Ensure there is nothing between the trailer door and the installed curtain.
3. Begin by installing sidewall brackets to the curbside and roadside sidewalls. **(Figure 1)** Use self drilling screws. Brackets must be secured to a hard, reinforced surface with the bracket opening facing the nose of the trailer.



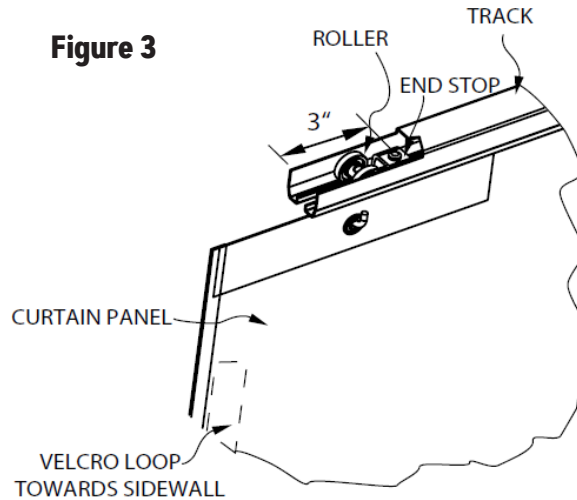
4. Measure the interior distance between brackets from curbside to roadside. Cut the track on the side that does not have an end stop installed 1/4" shorter than the actual measured distance between brackets.
5. Drill a 1/4" hole on top of the track, 3" from the side that was cut. **(Figure 2)**



# REAR ROLLER CURTAIN (RRCV)

## INSTALLATION INSTRUCTIONS

- Slide the curtain rollers into the track. Ensure that the outside roller is outside of the installed end stop. Velcro should be positioned to fasten to the inside Velcro on the curtain panels when closed. Install both panels and end stops. **(Figure 3)**



- Remove the pins from the sidewall brackets. Place the completed track with curtain into the brackets and reattach the pins. **(Figure 4)**
- Trim the curtain ½" to 1" from the floor.
- Attach the plastic Velcro hook to the trailer sidewalls using pop rivets at the height of the Velcro loop that is sewn to the outside of the curtain to add security and stability.

