

# SIDE ROLLER CURTAIN (SRCV)

## INSTALLATION INSTRUCTIONS

Read these instructions thoroughly **BEFORE** beginning installation.

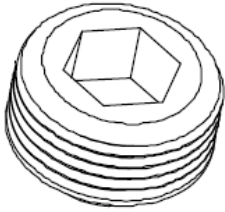
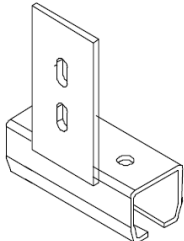
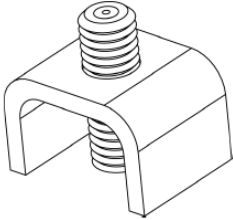
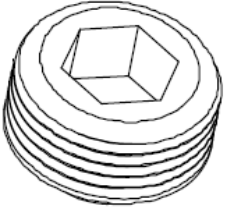
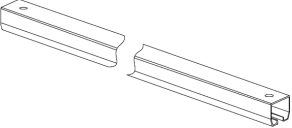
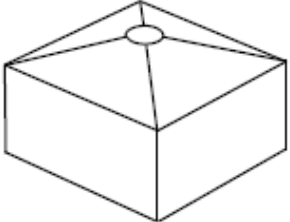
Identify and inventory the parts using the parts list below. If any parts are missing, call Safe Fleet Truck & Trailer at 800-323-7424.

Practice safety ! Wear safety glasses and appropriate protective equipment. If technical assistance is required, contact Safe Fleet Truck & Trailer.

### REQUIRED TOOLS:

1. Measuring tape
2. Torx pan head self-tapping screw 5/16" size (6 per curtain)
3. Screws or rivets to install Velcro to sidewall
4. Power drill with tool for screws
5. Allen wrench 3/8"
6. Utility knife
7. Loctite 262 or similar

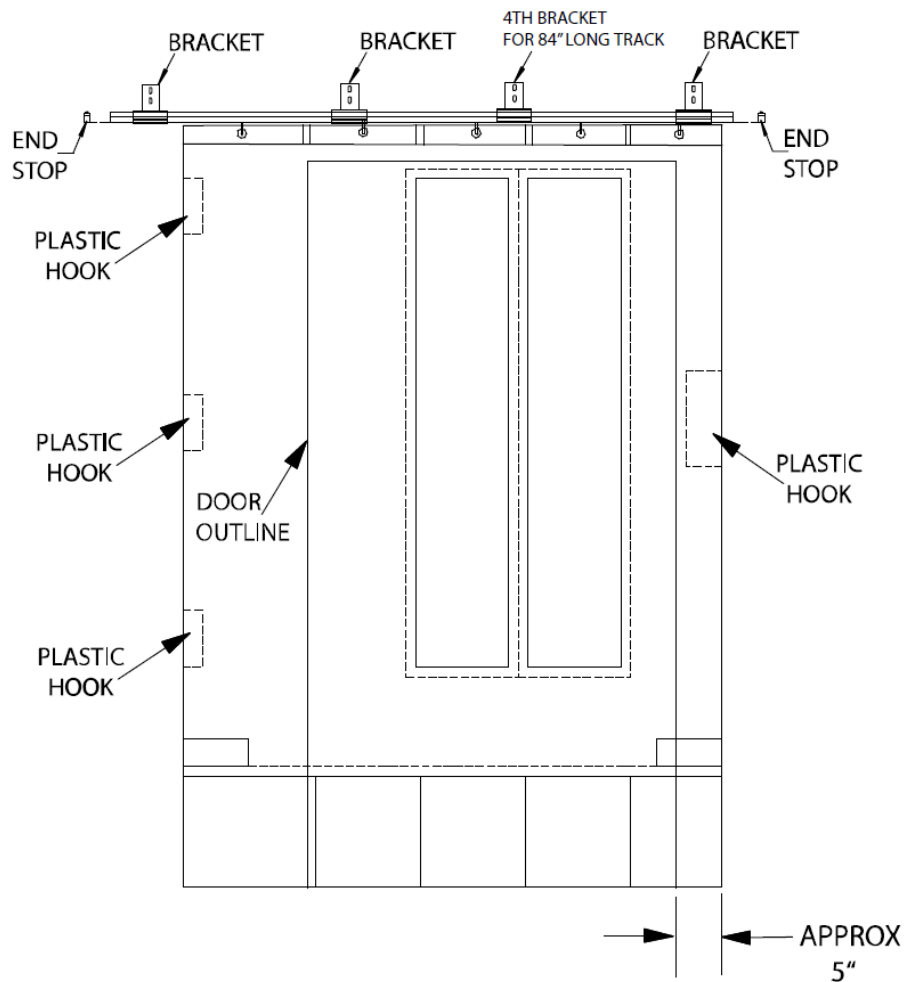
### PARTS LIST:

<p>03-12-0015 SET SCREW FOR BRACKETS</p>  <p>3 EA FOR 60" &amp; 72" TRACK 4 EA FOR 84" TRACK</p>	<p>03-06-0102 BRACKET, 16RT, WALL MOUNT UP</p>  <p>3 EA FOR 60" &amp; 72" TRACK 4 EA FOR 84" TRACK</p>	<p>03-06-0111 END STOP, W/ HEX SOCKET</p>  <p>2 EA</p>	<p>03-12-0015 SET SCREW FOR BRACKETS</p>  <p>3 EA FOR 60" &amp; 72" TRACK 4 EA FOR 84" TRACK</p>
<p>TRACK 60" OR 72" OR 84"</p>  <p>1 PC - 60" LONG OR 72" OR 84"</p>	<p>03-21-1033 CAP, CURTAIN SR, V, TRACK</p>  <p>2 EA</p>		

# SIDE ROLLER CURTAIN (SRCV)

## INSTALLATION INSTRUCTIONS

1. Slide 3 (or 4 if 84" long track) brackets on track (brackets must be installed to posts or reinforcements in wall). Install set screws on top of brackets with loctite 262 or similar to prevent brackets from loosening (one set screw per bracket).
2. Position track over door opening, and install using 5/16" screws. Screws are to be put in place at the top of each slot. **Brackets must be installed to posts or reinforcements in wall.**
3. Slide the curtain into track and install 2 end stops (03-06-0111) (screw in end stops must lock into hole drilled in the top of track).



4. Install plastic hook (03-21-1002) to the sidewall in 4 places matching loop sewn to curtain.
5. Trim sweep as necessary 1/4" to 1/2" from the floor line.
6. Install protective track caps (03-21-1033) on both sides of track's ends.